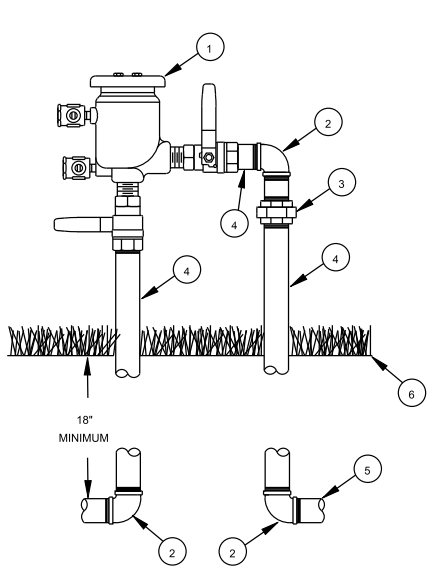


Hunter® PROS-06 SPRAY HEAD
NO SCALE INSTALLATION DETAIL
SWING



- 1 PRESSURE VACUUM BREAKER
- 2 PVC OR GALVANIZED ELL
- 3 PVC, GALVANIZED OR BRASS UNION (AS REQUIRED)
- 4 SCHEDULE 80, BRASS OR GALVANIZED NIPPLES (AS REQUIRED)
- 5 MAINLINE
- 6 FINISH GRADE

NOTE:
INSTALL 12" ABOVE HIGHEST HEAD PER MANUFACTURER'S RECOMMENDATIONS
INSULATE PER LOCAL CODES

D PRESSURE VACUUM BREAKER

Irrigation

Quantity	Symbol	Description	Part Number	Pressure	Flow	Radius
Sprinklers						
2	▲	Hunter MP2000 180° - MPR40-04	MP2000 90-210°	40 psi	0.74 gpm	19 ft
4	▲	Hunter MP2000 90° - MPR40-04	MP2000 90-210°	30 psi	0.33 gpm	18 ft
4	▲	Rain Bird 12H - 1804	12H	30 psi	1.3 gpm	12 ft
2	▲	Rain Bird 12Q - 1804	12Q	30 psi	0.65 gpm	12 ft
4	▲	Rain Bird 15SST - 1804	15SST	30 psi	1.21 gpm	30 x 4 ft
4	▲	Rain Bird 5000 Series 1.5 LA - 5004-PL-PC-2.0	1.5 LA	45 psi	1.58 gpm	31 ft
4	▲	Rain Bird 5000 Series 2.0 - 5004-PL-FC	2.0	45 psi	2.07 gpm	37 ft
4	▲	Rain Bird 5000 Series 2.0 LA - 5004-PL-PC-3.0	2.0 LA	45 psi	2.02 gpm	32 ft
15	▲	Rain Bird 5H - 1804	5H	30 psi	0.2 gpm	5 ft
6	▲	Rain Bird 5Q - 1804	5Q	30 psi	0.1 gpm	5 ft
2	▲	Rain Bird 5T - 1804	5T	30 psi	0.13 gpm	5 ft
8	▲	Rain Bird 6-VAN 180 - 1804	6-VAN	30 psi	0.6 gpm	6 ft
10	▲	Rain Bird 8H - 1804	8H	30 psi	0.52 gpm	8 ft
3	▲	Rain Bird 8Q - 1804	8Q	30 psi	0.26 gpm	8 ft

Meters/Pumps

1	M	5/8 inch meter	
---	---	----------------	--

Backflow Devices

1	⊙	Febco 765 - 1"	765 - 1"
---	---	----------------	----------

Control Valves

8	⊕	Hunter PGV-100A	PGV-100A
---	---	-----------------	----------

Irrigation Accessories

1	▲	Hunter MINI-CLIK	MINI-CLIK
1	▲	Hunter PCC-900i	PCC-900i
1	▲	Spears 1" Gray PVC - Socket	2621-010G

Lateral Line Pipe

724 ft	—	Class 315 1/2"	
85 ft	—	Class 200 3/4"	

Mainline Pipe

124 ft	—	Schedule 40 1"	0
116 ft	—	Schedule 40 1 1/4"	0

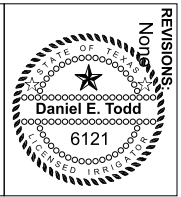
Water Source #1	
Meter Size	5/8 inch meter
Static Pressure	55 psi
Elevation Change	0 ft

Service Line Information	
Pipe Category	
Pipe Size	
Length	0 ft
Velocity	5 fps

Recommendations	
Maximum Recommended Flow	12 gpm
Available Working Pressure	49.5 psi

SHEET: 1 of 1
SCALE: 1" = 16'

CHECKED BY: Daniel Todd
DRAWN BY: Daniel Todd
JOB NUMBER: 05162014
DATE: 16 May 2014



PROJECT:

SHEET DESCRIPTION:
Sprinkler Design

Water Works Irrigation
713-518-9660